

Craft ROBO Pro & Craft ROBO Pro II (CE5000-40 & CE3000-40)

***Correct BORDERS and DISTANCES of your layout and print
when using Cutting Master 2 plug-in for PRINT & CUT***

PART I

**3 FACTORS MUST REMAIN CONSISTENT
regardless of media size you are working with:**

1. TOP BORDER must be at least 2.25"

from edge of registration mark to top edge of media.

The Craft ROBO Pro has a media sensor in the rear that scans media length and stops the machine when the media is too close to the end.

2. SIDE BORDER must be at least .5"

from edge of registration mark to side edge of the media to properly clear the pinch rollers and enable the registration mark sensor to scan appropriately.

Mechanically, the Craft ROBO Pro requires approx .5" distance between the grit roller and registration mark sensor to accurately pick up the printed registration marks.

3. PINCH ROLLER DISTANCE must be at least .25"

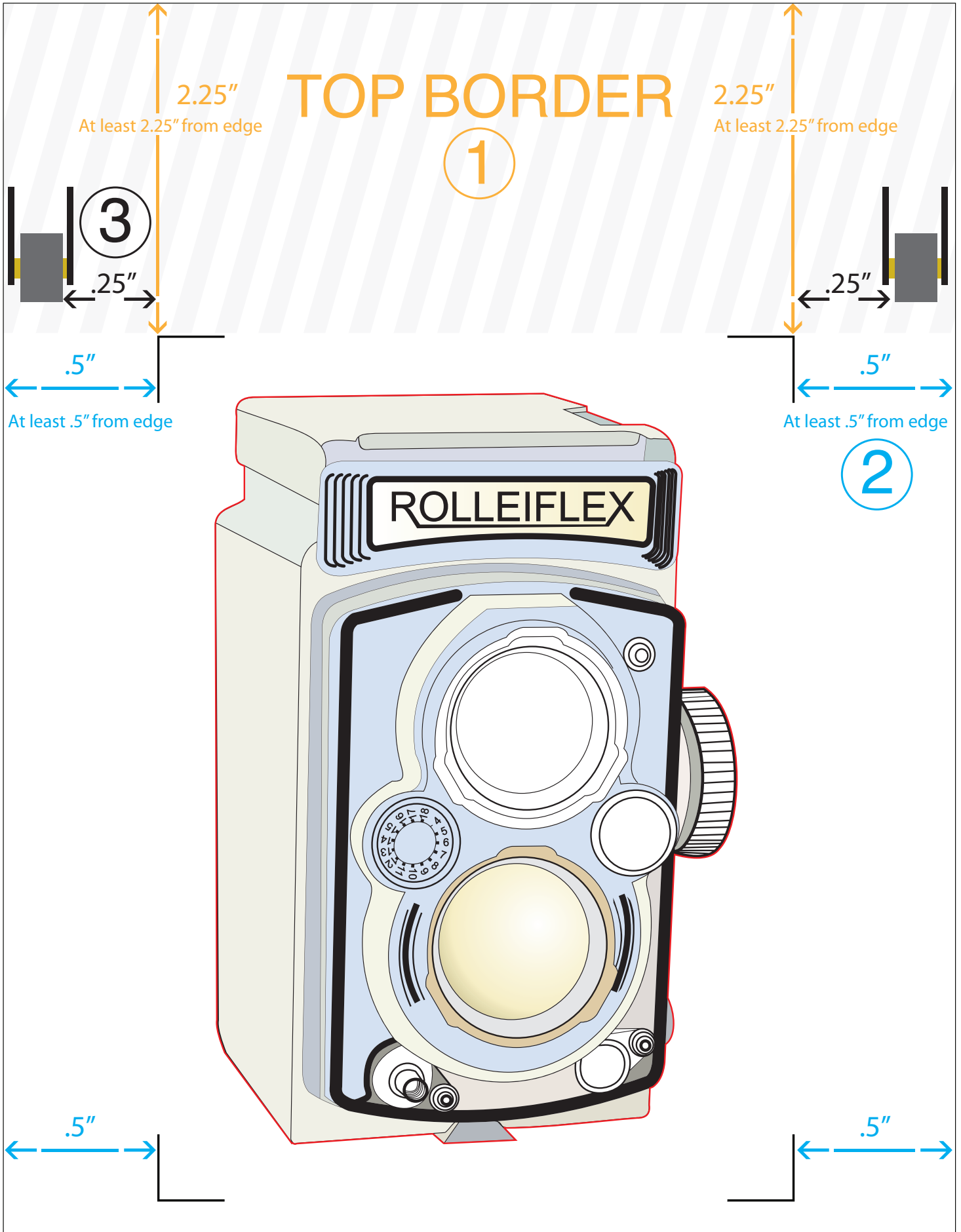
from edge of registration mark to side edge of the pinch roller's wheel on either side.

Mechanically, the Craft ROBO Pro requires approx .5" distance between the grit roller and registration mark sensor to accurately pick up the printed registration marks.

see diagram 1

see diagram 1

diagram 1



Craft ROBO Pro & Craft ROBO Pro II (CE5000-40 & CE3000-40)

***Correct BORDERS and DISTANCES of your layout and print
when using Cutting Master 2 plug-in for PRINT & CUT***

PART II

These are the 3 TECHNIQUES to get accurate registration mark readings from your printed file:

see techniques 1-3

1. TOP BORDER must be at least 2.25"

from edge of registration mark to top edge of media.

The Craft ROBO Pro has a media sensor in the rear that scans media length and stops the machine when the media is too close to the end.

2. SIDE BORDER must be at least .5"

from edge of registration mark to side edge of the media to properly clear the pinch rollers and enable the registration mark sensor to scan appropriately.

Mechanically, the Craft ROBO Pro requires approx .5" distance between the grit roller and registration mark sensor to accurately pick up the printed registration marks.

3. PINCH ROLLER DISTANCE must be at least .25"

from edge of registration mark to side edge of the pinch roller's wheel on either side.

Mechanically, the Craft ROBO Pro requires approx .5" distance between the grit roller and registration mark sensor to accurately pick up the printed registration marks.

see techniques 1-3

Technique 1
Print & Cut without carrier sheet or *media extension*

TOP BORDER

2.25"

2.25"

At least 2.25" from edge

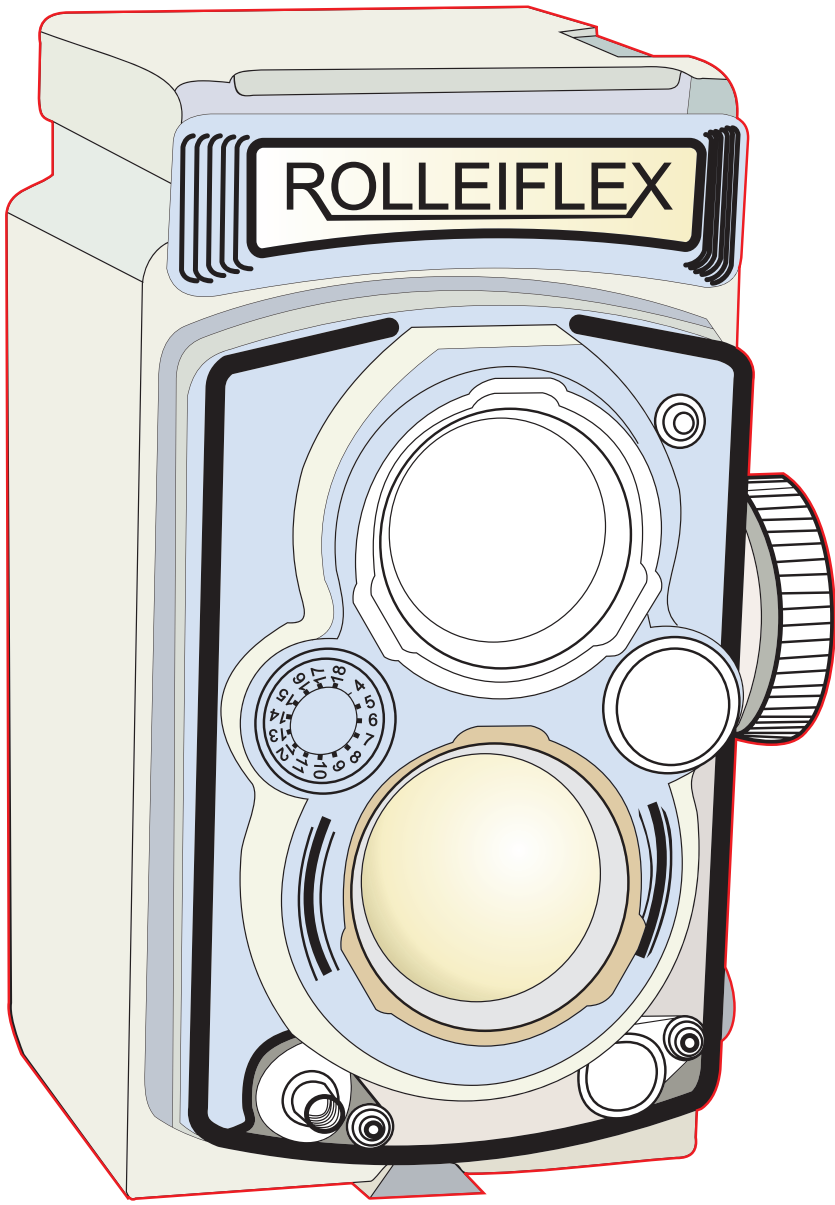
At least 2.25" from edge

.5"

.5"

At least .5" from edge

At least .5" from edge



.5"

.5"

At least .5" from edge

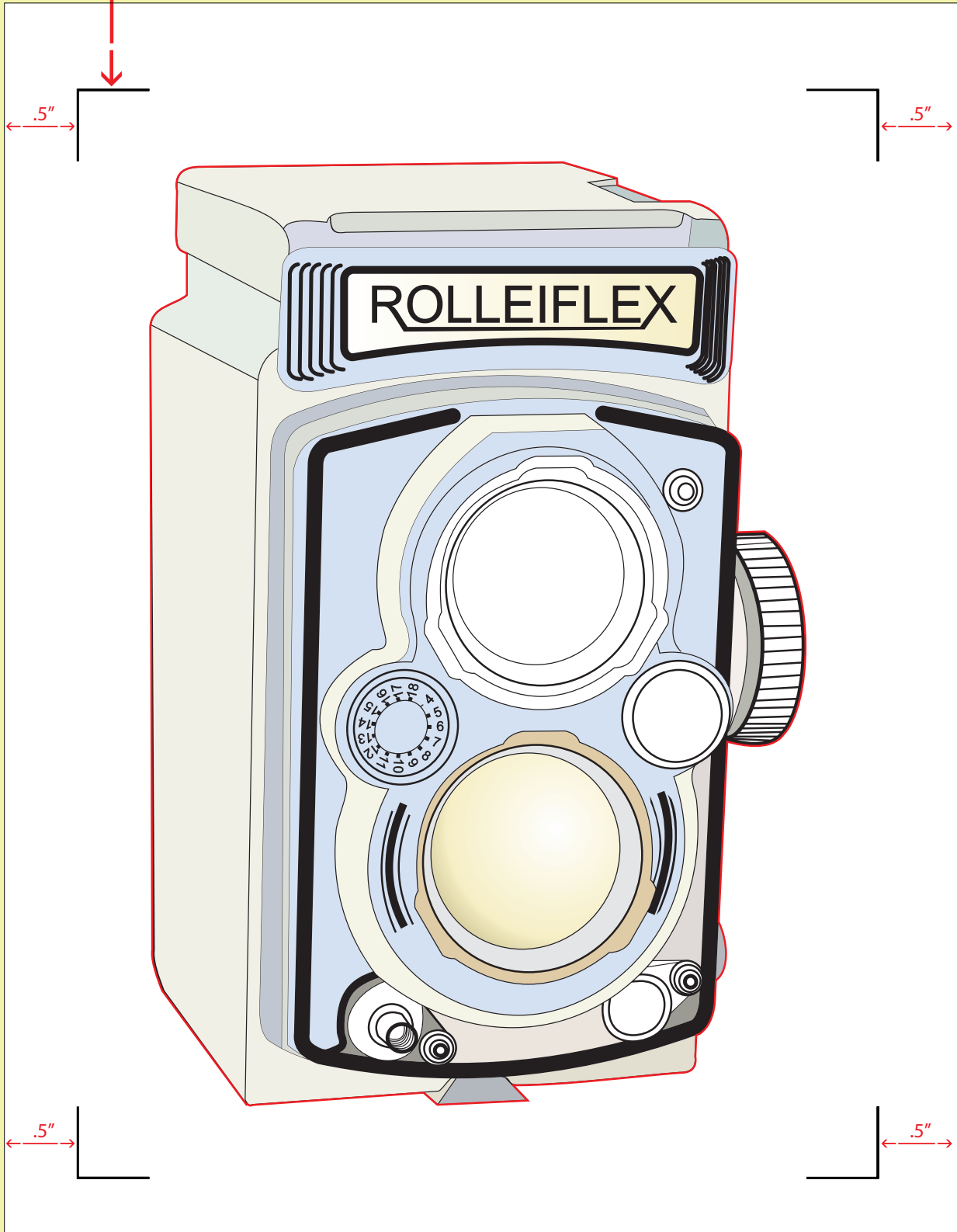
At least .5" from edge

Technique 2
Print & Cut with carrier sheet

2.25"

CARRIER SHEET

At least 2.25" from edge



Technique 3

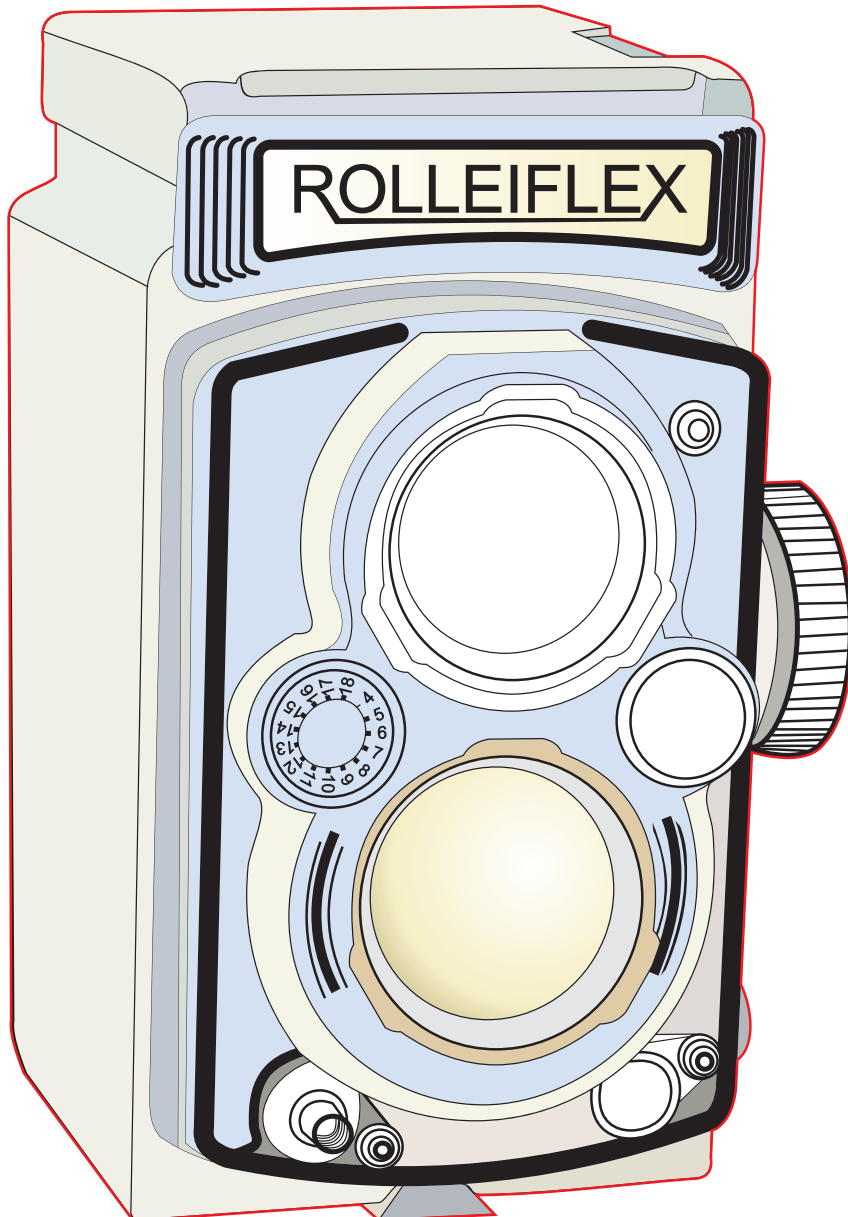
Print & Cut with *Media Extension*

MEDIA EXTENSION

Tape a piece of paper to the top edge of your printed media to extend the TOP BORDER so that you have at least 2.25"

.5"

.5"



.5"

.5"